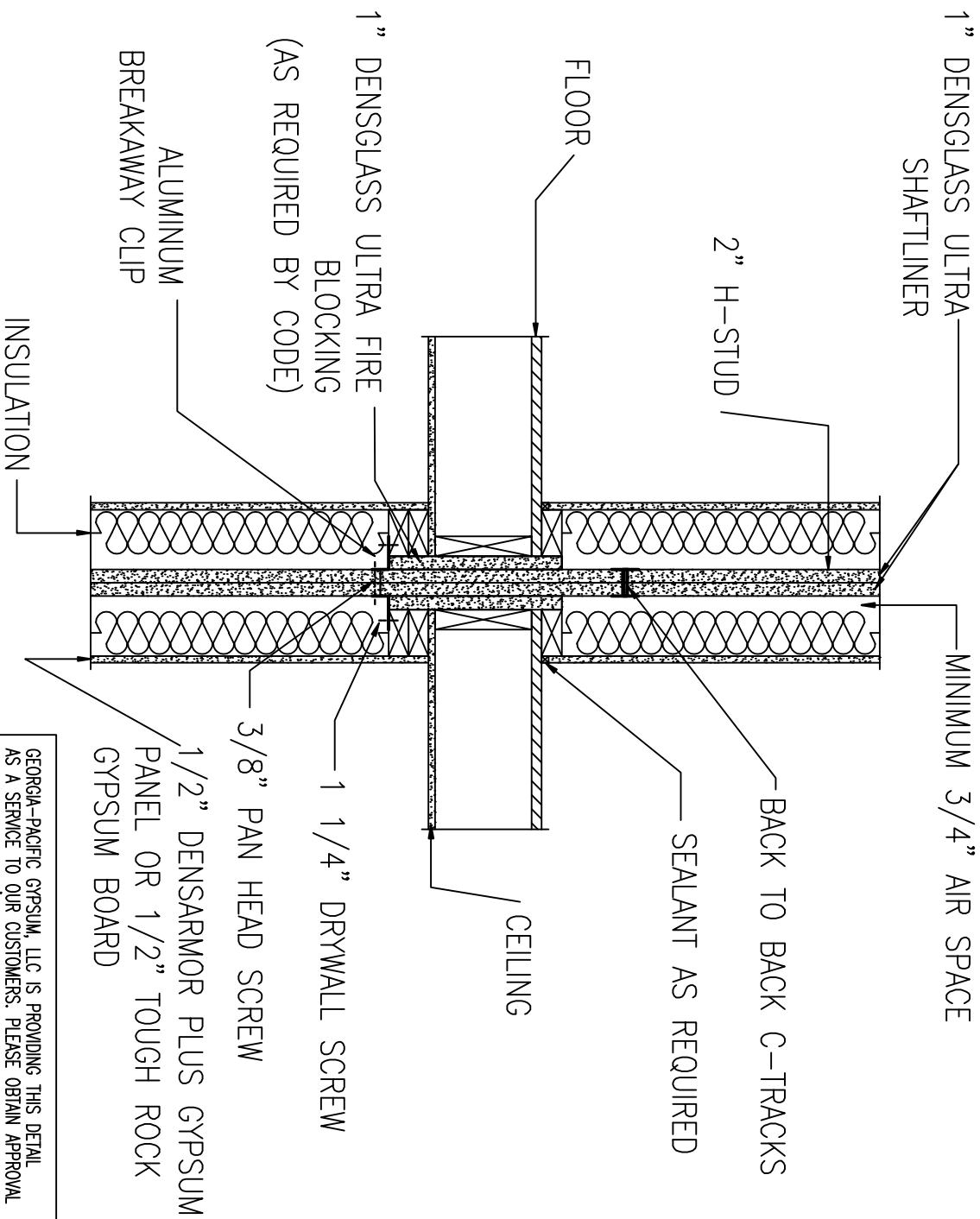


INTERMEDIATE FLOOR DETAIL



GEORGIA-PACIFIC GYPSUM, LLC IS PROVIDING THIS DETAIL AS A SERVICE TO OUR CUSTOMERS. PLEASE OBTAIN APPROVAL FROM THE PROJECT'S ARCHITECT, ENGINEER OR OTHER DESIGN AUTHORITY AND REVIEW WITH LOCAL BUILDING CODE OFFICIALS BEFORE YOU IMPLEMENT THIS DETAIL.