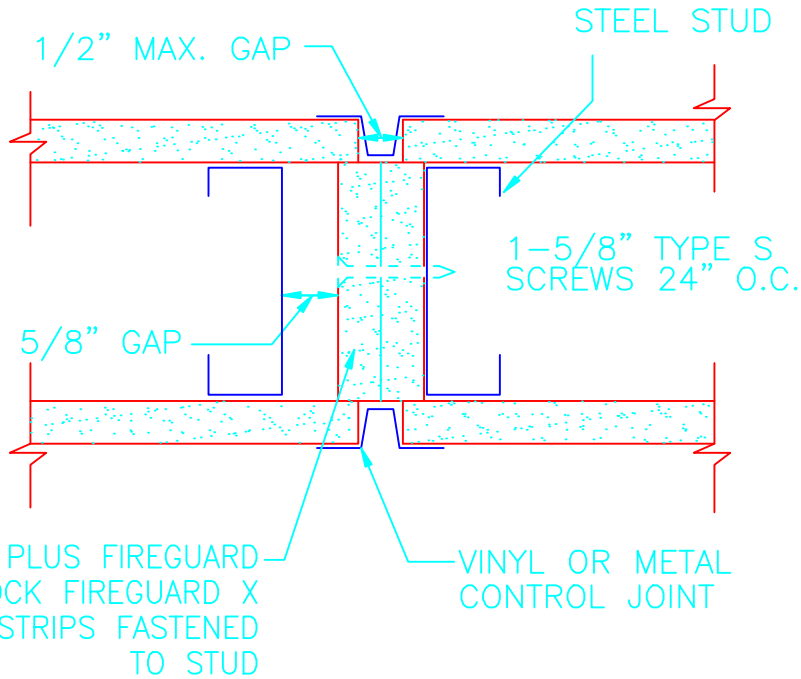
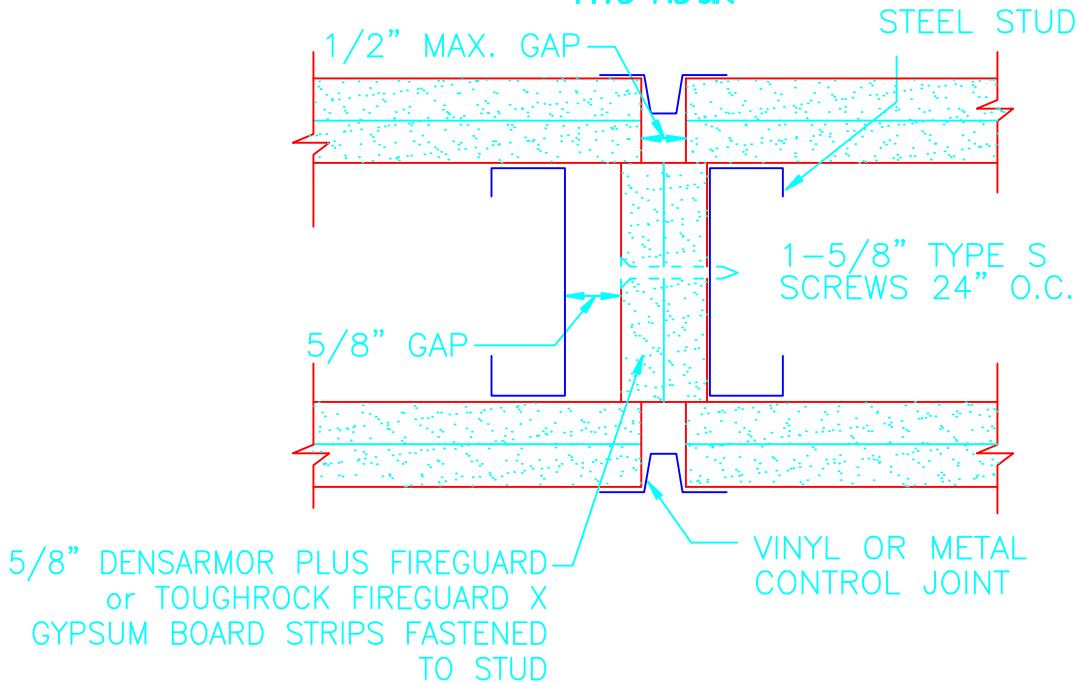


ONE HOUR



TWO HOUR



RATED PARTITION - CONTROL JOINT - STEEL FRAME

GEORGIA-PACIFIC GYPSUM, LLC IS PROVIDING THIS DETAIL AS A SERVICE TO OUR CUSTOMERS. PLEASE OBTAIN APPROVAL FROM THE PROJECT'S ARCHITECT, ENGINEER OR OTHER DESIGN AUTHORITY AND REVIEW WITH LOCAL BUILDING CODE OFFICIALS BEFORE YOU IMPLEMENT THIS DETAIL.

TECHNICAL SERVICES:
800-225-6119
WEBSITE:
www.gp.com/gypsum

Georgia-Pacific Gypsum

SKETCH NO. 23