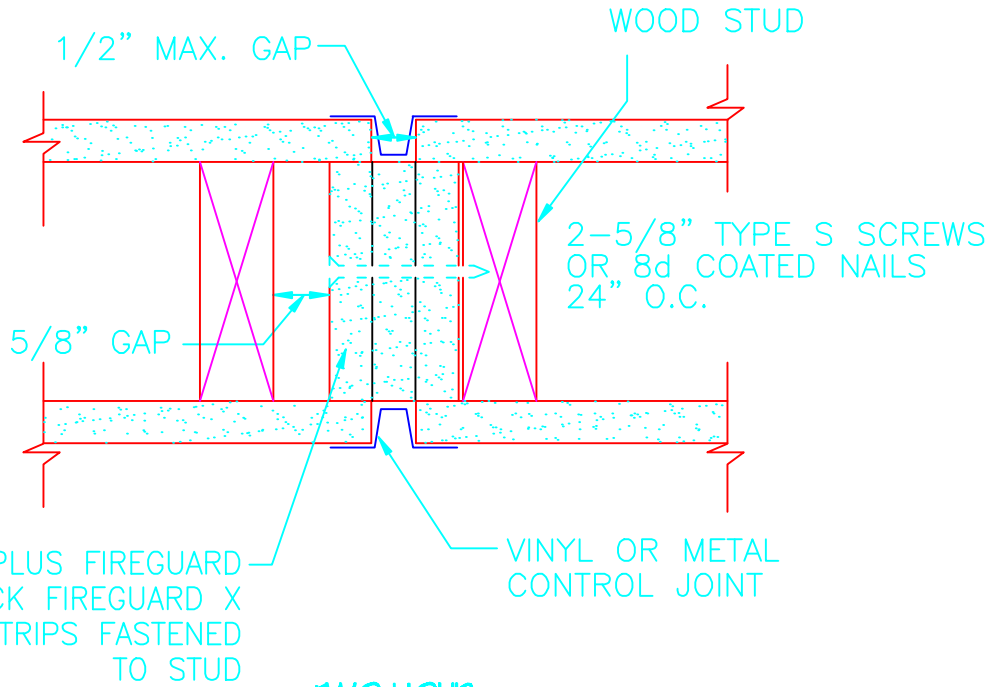
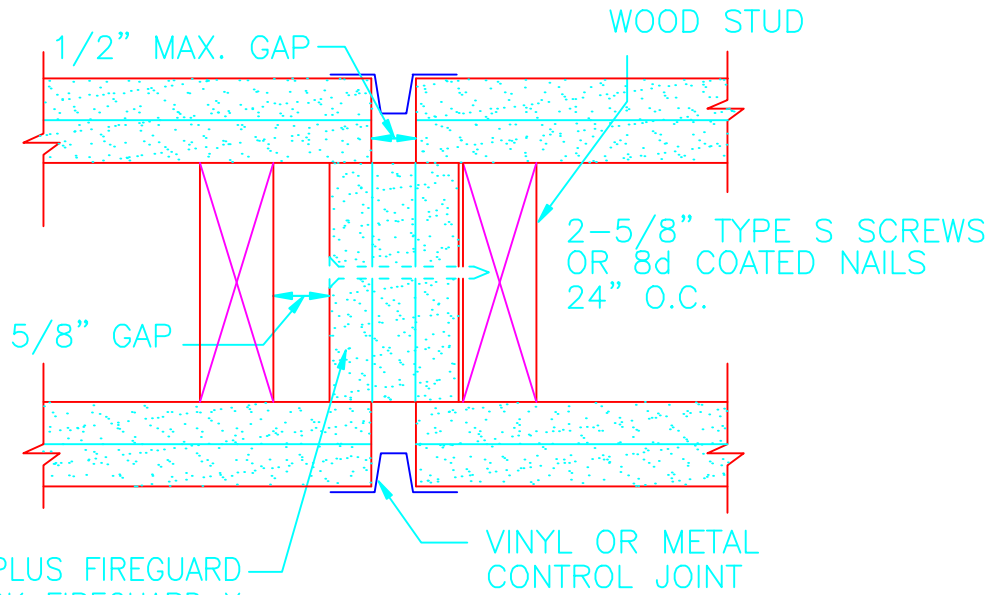


ONE HOUR



5/8" DENSARMOR PLUS FIREGUARD
or TOUGHROCK FIREGUARD X
GYPSUM BOARD STRIPS FASTENED
TO STUD

TWO HOUR



5/8" DENSARMOR PLUS FIREGUARD
or TOUGHROCK FIREGUARD X
GYPSUM BOARD STRIPS FASTENED
TO STUD

RATED PARTITION - CONTROL JOINT - WOOD FRAME

GEORGIA-PACIFIC GYPSUM, LLC IS PROVIDING THIS DETAIL AS A SERVICE TO OUR CUSTOMERS. PLEASE OBTAIN APPROVAL FROM THE PROJECT'S ARCHITECT, ENGINEER OR OTHER DESIGN AUTHORITY AND REVIEW WITH LOCAL BUILDING CODE OFFICIALS BEFORE YOU IMPLEMENT THIS DETAIL.

TECHNICAL SERVICES:
800-225-6119

WEBSITE:
www.gp.com/gypsum

Georgia-Pacific Gypsum

SKETCH NO. 22