

## Installation Instructions

### General

- Georgia-Pacific Stedi-R® Structural Fiberboard Sheathing complies with the provisions of the International Building Code, International Residential Code and ASTM C-208. Guidance for code official approval is provided in the International Code Council Evaluation Service Report (ICC-ESR 1378). The evaluation report is available online at [www.icc-es.org](http://www.icc-es.org).
- Stedi-R Structural Sheathing is an environmentally sensitive sheathing product, manufactured from previously discarded wood resources and recovered fiber material.
- Stedi-R Structural Sheathing allows attainment of up to R-16 with 2x4 studs when used in conjunction with R-13 fiberglass insulation, depending on siding used.

### Uses

- Commercial and residential above-ground insulating wall sheathing.
- Backer board under exterior sidings including wood, vinyl, lumber, brick, aluminum, hardboard and fiber cement.

### Sizes

Stedi-R Structural Sheathing is available in 1/2" and 25/32" thickness in nominal 4' x 8' and 4' x 9' square edge sheets. Also available coated 6 sides (C6S). Check local distributor for availability.

### Properties

	R-Value*	Vapor Permeance (Perms)	Product and Test Method Standards**
Stedi-R 1/2" Structural Fiberboard Sheathing	1.28	>15	ASTM C 208 ASTM C 209
Stedi-R 25/32" Structural Fiberboard Sheathing	2.1	>15	ASTM C 208 ASTM C 209

\* R-values shown are based on ASTM Test C-518, C-177 or C-236 at 75° mean temperature. R means resistance to heat flow. The higher the R-value, the greater the insulating power.

\*\* Replaces ANSI A194.1.

### Application

Stedi-R Structural Sheathing can provide adequate racking strength when applied over studs 16" o.c., and nailed as described in the application portion of these instructions. However, specific racking resistance requirements will be determined by local building codes. When used as a wall sheathing, Stedi-R Structural Sheathing shall be covered by a water-resistive barrier

and an approved wall covering in accordance with the applicable building code.

(See special exterior stucco/lath requirements.) A continuous vapor retarder (one perm or less) must be applied on the warm (living) side of the perimeter wall framing members.

Sheathing should be applied vertically with the long edges parallel to the vertical studs. Center all joints over the framing members with a 1/8" gap between edges and around doors and windows. Sheathing should extend from sill to top plate. If not, headers for adequate nailing should be provided at all horizontal joints.

### Structural Application

Fastening Guide	Fastener Size	Spacing	
		Edges	Field
Stedi-R 1/2" Structural	1 3/4" nail <sup>†</sup>	3"	6"
Stedi-R 25/32" Structural	2" nail <sup>†</sup>	3"	6"

### Non-Structural Application

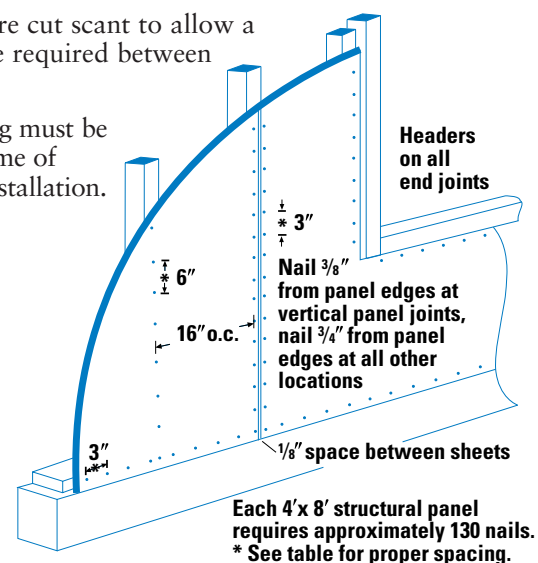
Fastening Guide	Fastener Size	Spacing	
		Edges	Field
Stedi-R 1/2" Structural	1 3/4" nail <sup>†</sup>	6"	12"
Stedi-R 25/32" Structural	2" nail <sup>†</sup>	6"	12"

<sup>†</sup> Nails used should be 11 ga. galvanized roofing nails with nominal 3/8" diameter head. Staples may be used in lieu of nails. If staples are used, they should conform to the following specifications: 16 ga., .057" minimum thickness, .063" minimum width, 1 1/2" minimum length for 1/2" sheathing, 1 3/4" minimum length for 25/32" sheathing, 1/16" minimum crown. Staples should be applied with crown parallel to long dimension of framing members.

Fasten sheathing to the intermediate studs first, then edges. Space fasteners as noted in the preceding table. Drive fasteners flush with surface. Do not countersink.

Panels are cut scant to allow a 1/8" space required between panels.

Sheathing must be dry at time of siding installation.



Each 4' x 8' structural panel requires approximately 130 nails.  
\* See table for proper spacing.

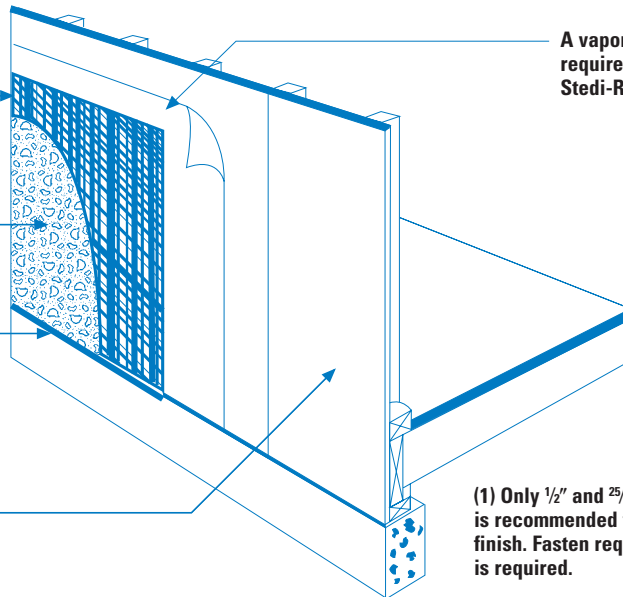
## Portland Cement Based Stucco Over Stedi-R® Structural Sheathing (1)

Self-furring metal lath fastened through sheathing to studs

Stucco

Metal bead

Stedi-R Structural Sheathing applied with long dimension vertical or parallel to studs. All edges must be supported by studs or equivalent structural blocking.



A vapor permeable sheathing paper is required where stucco is applied over Stedi-R Structural Sheathing.

\*Check local building code and applicator for specific requirements. Note: Uniform Building Code requires two layers of kraft waterproof building paper (Federal Specification UU-B-790 Type 1, Grade D) over wood-based sheathing.

(1) Only 1/2" and 25/32" Stedi-R Structural Sheathing is recommended for use with exterior stucco/lath finish. Fasten requirements for structural bracing is required.

## Storage

Sheathing should be stored flat, and supported and protected from direct contact with the ground. Sheathing must not be stored in a heated warehouse and should be allowed to come to equilibrium at job site conditions prior to application. Sheathing should also be kept dry and protected from rain.

## Caution

GP Sheathing products are marked with a hazard label because they may be a potential fire hazard if exposed to flame, such as plumbing torches. Caution must be taken that these products do not come in contact with open flame or with temperatures high enough to ignite them or cause smoldering combustion.

## Recommendations for Repair of Overdriven Fasteners, Holes and Damaged Areas

### Overdriven Fasteners

If fasteners are overdriven such that they penetrate the face of Stedi-R® fiberboard wall sheathing, repair by inserting another fastener into framing or blocking driven flush with the panel face approximately 1" above, below or to the side of the overdriven fastener. A maximum of 10% of the fasteners may be involved in this repair method.

### Holes and Damaged Areas (Normal Wind Load Conditions)

1. Small holes or damaged areas, up to a maximum of 12" x 12", can be repaired by cutting out the damaged area in a square or nearly square shape using a utility knife. The cut should be made on a 45° angle with the bevel facing in towards the center of the square. The piece removed can be used as a template to cut a sound replacement piece from an

undamaged piece of fiberboard. The replacement piece should also have the edges cut at a 45° angle with the bevel facing in toward the center of the piece. Apply a 1/4" bead of adhesive (preferably mastic or panel adhesive that is gap bridging) to the beveled edge of either the cut hole or the replacement piece and insert the replacement piece. The bevel will prevent the replacement piece from being pushed through into the wall cavity.

2. Areas larger than the maximum 12" x 12" must be replaced by cutting out the damaged section the full width of the panel (4') and installing horizontal blocking behind the unsupported panel edges at any horizontal joints. All panel edges must fall over framing and be fastened per the installation instructions. If damaged areas are very large, it may be more practical to replace the entire panel.

### Holes and Damaged Areas (High Wind Areas)

Because of wind load design requirements in high wind areas, panels must be undamaged to validate design values from wind pressure tests conducted on GP fiberboard sheathing. Therefore, repair must be accomplished as detailed in option 2 above.

*Georgia-Pacific Corporation will not be liable for damages which are the result of alterations or modification of, or variance from, the installation instructions contained herein, regardless of particular job requirements, conditions or locations, or methods of design, or specifications, insurance requirements, building codes, or similar factors. If such circumstances should arise, contact Georgia-Pacific Corporation for written instructions before applying sheathing.*



Georgia-Pacific Corporation

55 Park Place, N.E.

Atlanta, GA 30303

1-800 BUILD GP [www.gp.com](http://www.gp.com)