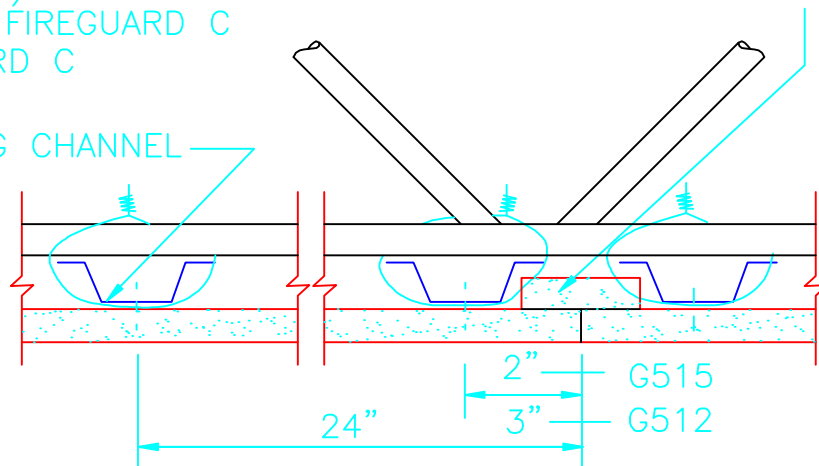


TEST REF: UL DESIGN G512 (3 HRS)
5/8" TOUGHRock FIREGUARD C

UL DESIGN G515 (2 HRS)
1/2" DENSARMOR PLUS FIREGUARD C
or TOUGHRock FIREGUARD C
GYPSUM BOARD

TOUGHRock FIREGUARD X
2-3/4" WIDE
GYPSUM BOARD STRIPS

FURRING CHANNEL



END JOINT DETAIL

ALTERNATE SUSPENSION SYSTEM:
SUSPEND 1-1/2" COLD ROLLED
CHANNELS 48" O.C. (NOT SHOWN)
REF: UL DESIGN G512 & G515

RATED DRYWALL CEILINGS

GEORGIA PACIFIC-GYPSUM, LLC IS PROVIDING THIS DETAIL AS A SERVICE TO OUR CUSTOMERS. PLEASE OBTAIN APPROVAL FROM THE PROJECT'S ARCHITECT, ENGINEER OR OTHER DESIGN AUTHORITY AND REVIEW WITH LOCAL BUILDING CODE OFFICIALS BEFORE YOU IMPLEMENT THIS DETAIL.

TECHNICAL SERVICES:
800-225-6119
WEBSITE:
www.gp.com/gypsum

Georgia-Pacific Gypsum

SKETCH NO. 32